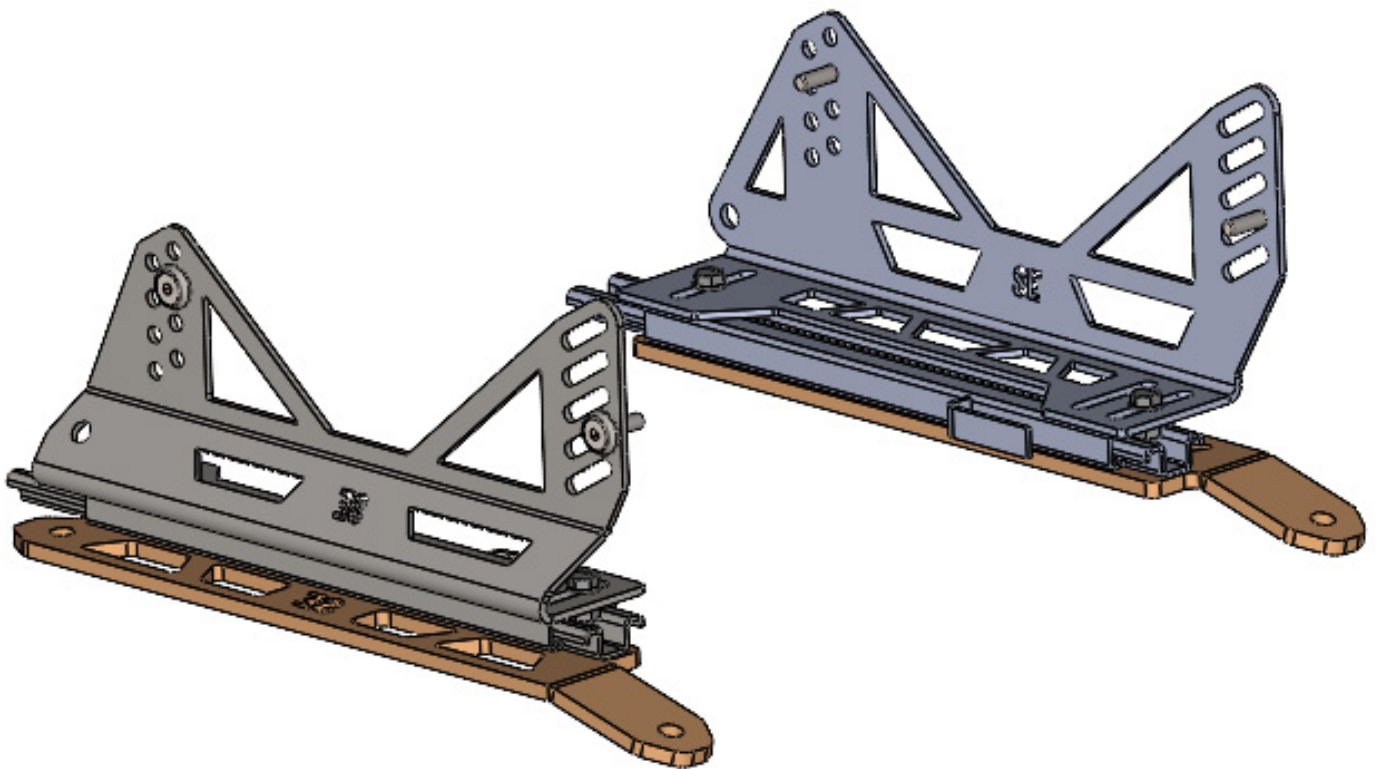
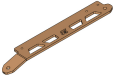

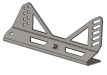


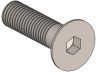
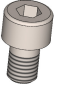
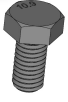
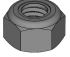



# SPEED Hyundai I20N Seat Mount - codriver

## Installation instructions

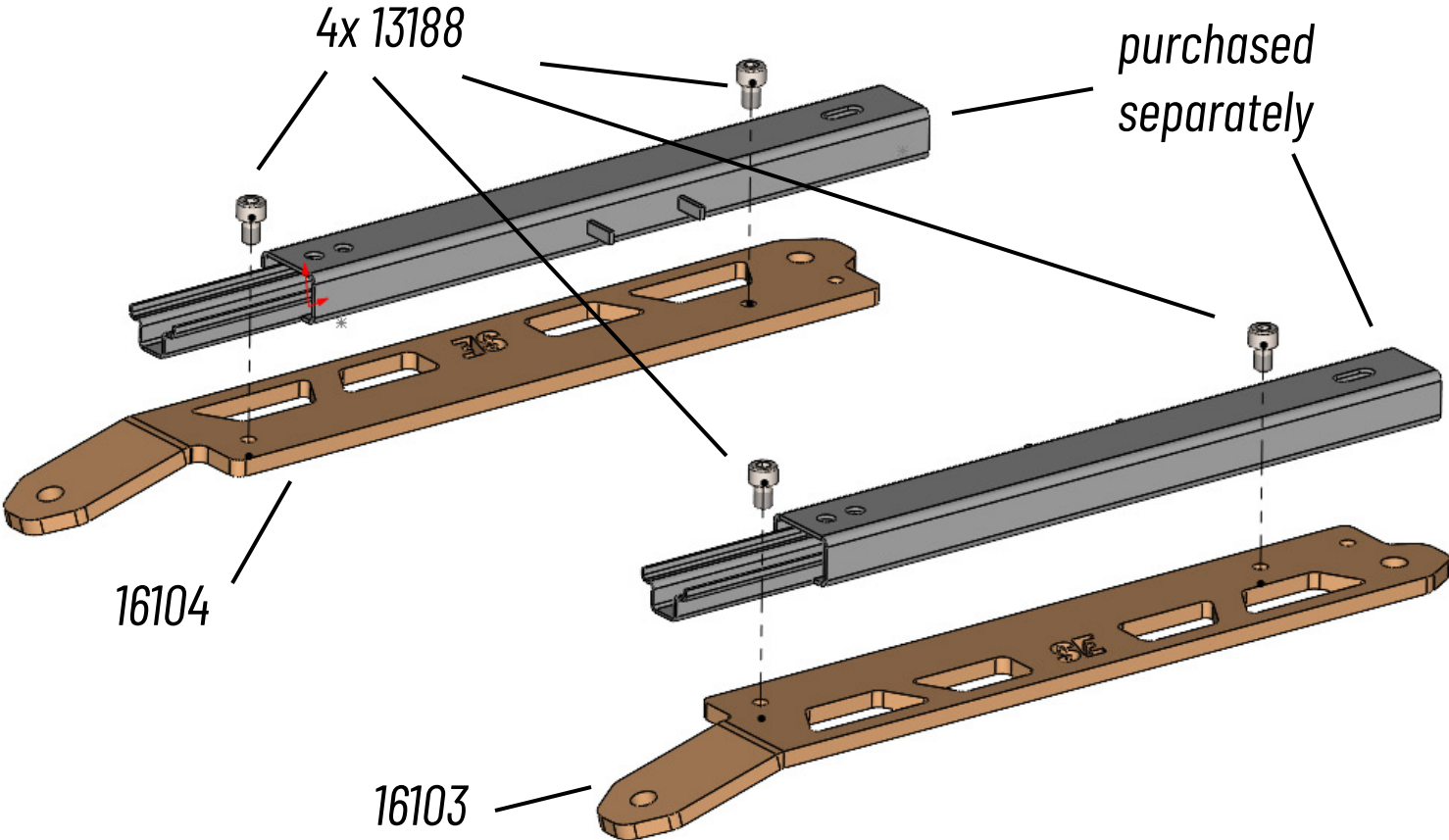


## Scope of delivery

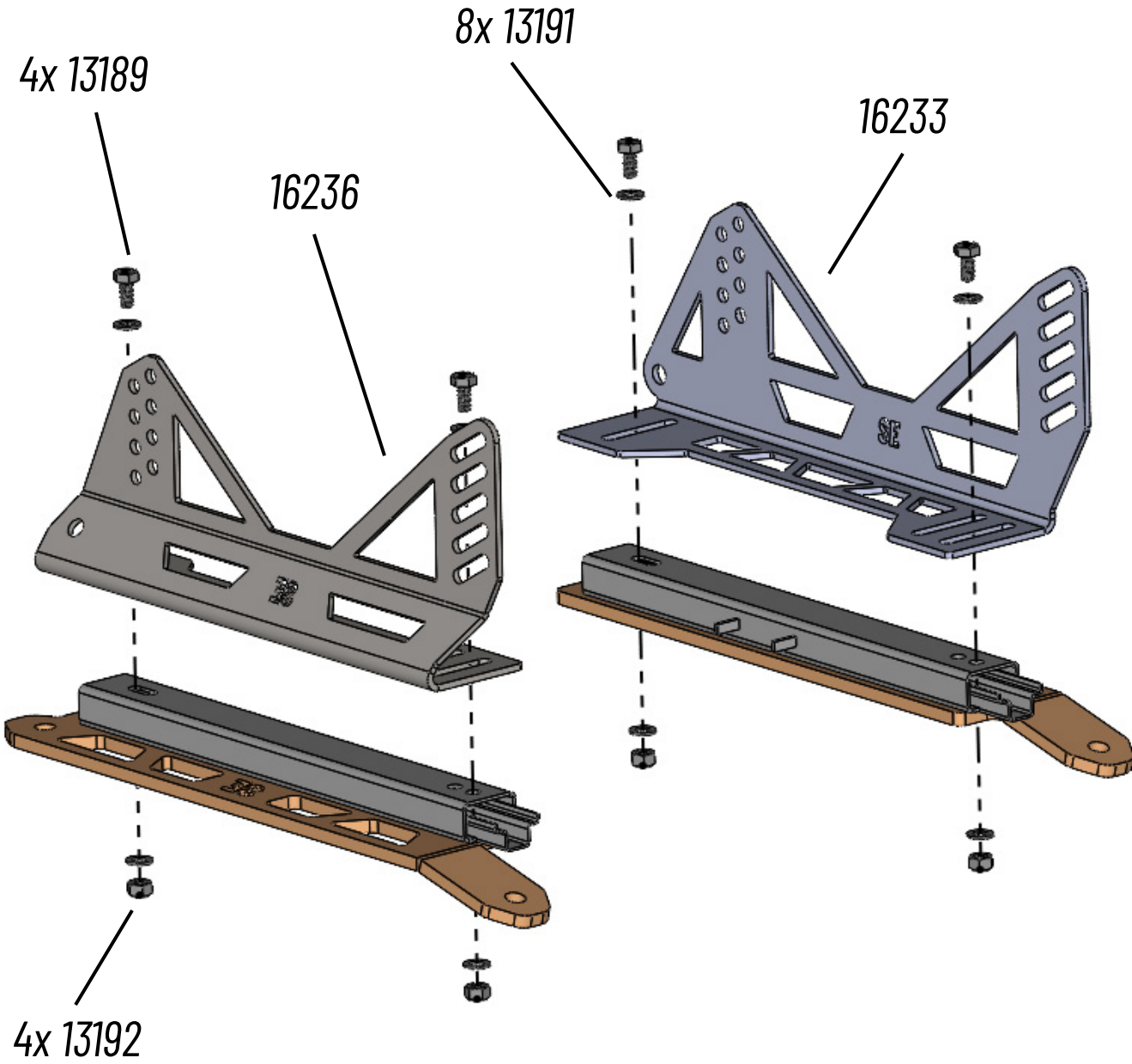
	<b>Item number</b>	<b>Quantity</b>	<b>Designation</b>
	16103	1	seat lowering console L
	16104	1	seat lowering console R
	16233	1	L Adapter L
	16236	1	L Adapter R
	13213	4	rosette disc M8
	13190	4	Countersunk screw M8x30
	13188	4	Cylinder head bolt M8x12
	13189	4	Cylinder head bolt M8x16
	13192	4	Nut M8
	13191	8	Washer M8

# The installation

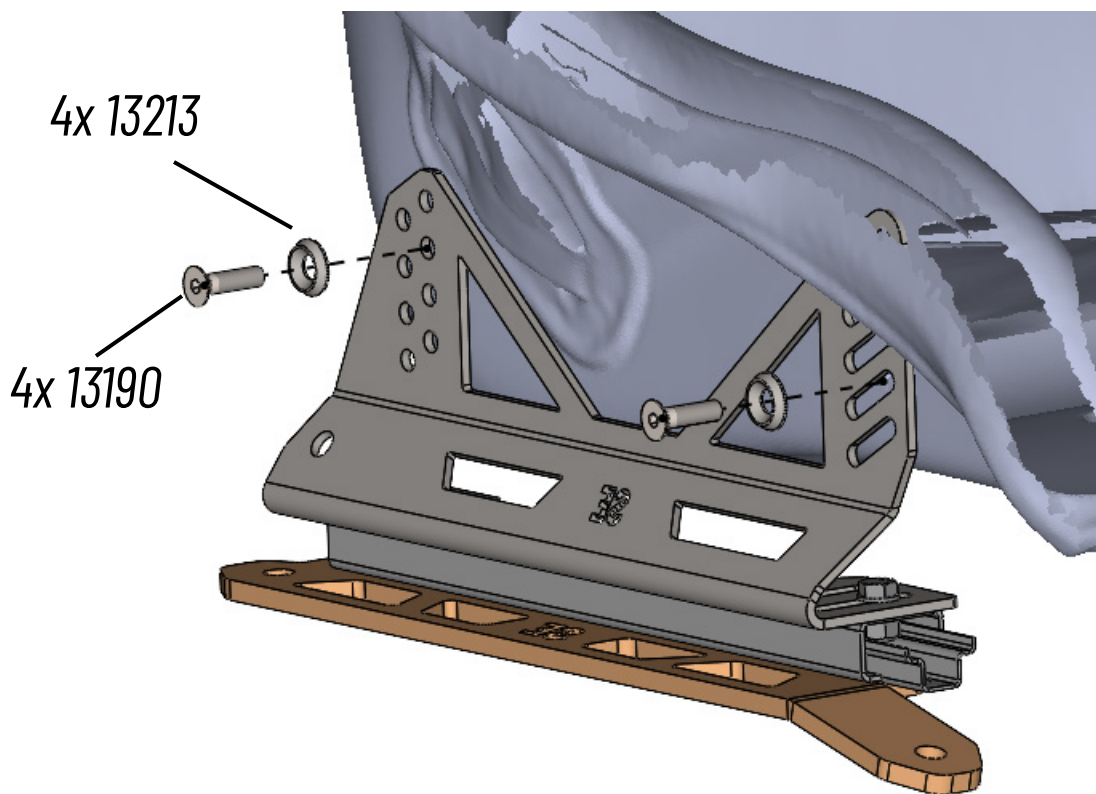
- 1. Unscrew the OEM seat from the car.
- 2. Mount the Rail on the seat lowering console



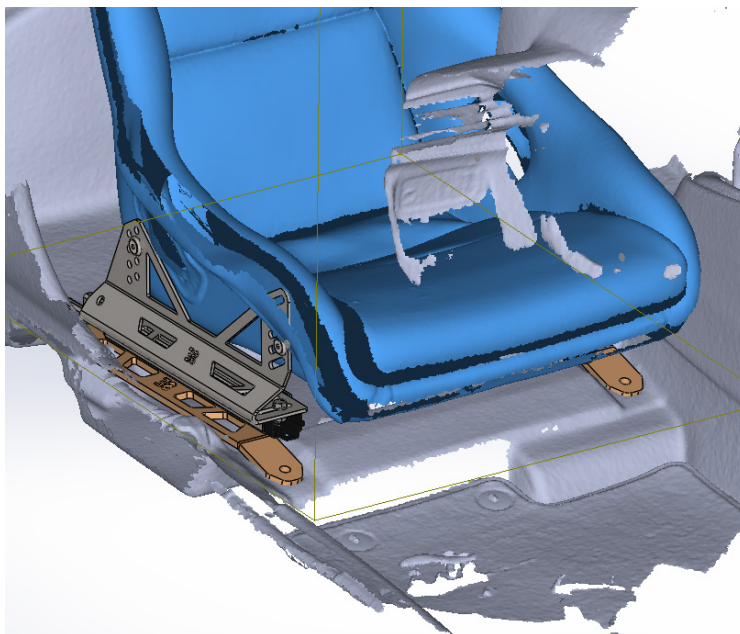
3. Mount the L Adapter on the Seat Rail. The screws should not be tightened completely yet.



4. Attach the seat to the L adapters on both sides.



5. Install the seat in the vehicle and use the original screws.



5. Tighten the screws from Step 3



**Speed Engineering GmbH**  
**Klönnestraße 89**  
**44143 Dortmund**  
**info@speedengineering.de**

**WWW.SPEEDENGINEERING.DE**