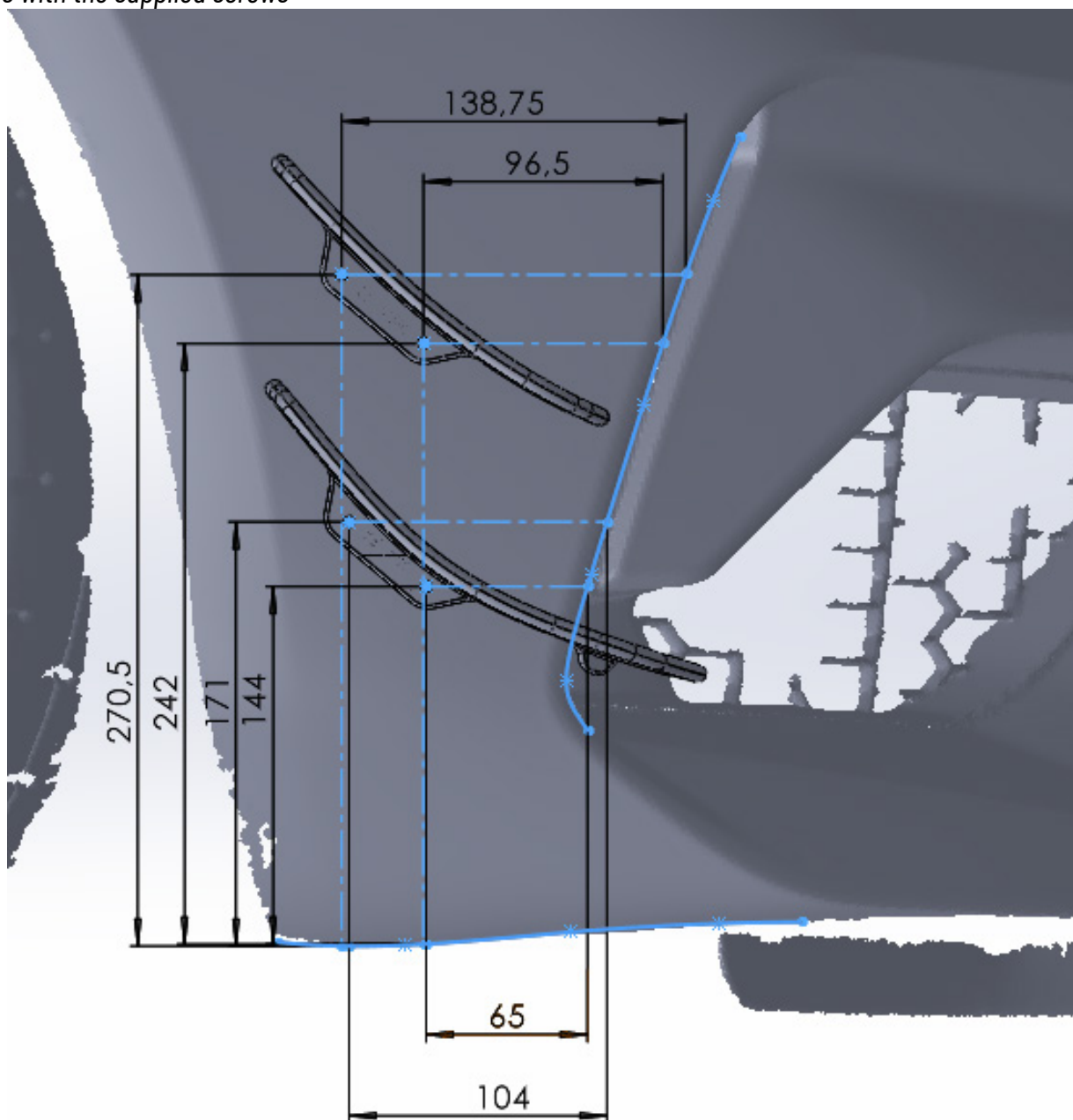


# Canards

## Installation instructions

1. use the dimensions as a reference for the position of the drill holes
2. mark the drill holes with a pencil
3. check the position by holding the canards against the bumper
4. drill the marked points with a 9mm drill bit
5. place the rubber insert nuts in the drill holes and fix the canards with the supplied screws





**Speed Engineering GmbH**  
**Klönnestraße 89**  
**44143 Dortmund**  
**Tel.: +4923056982010**  
**info@speedengineering.de**

**WWW.SPEEDENGINEERING.DE**