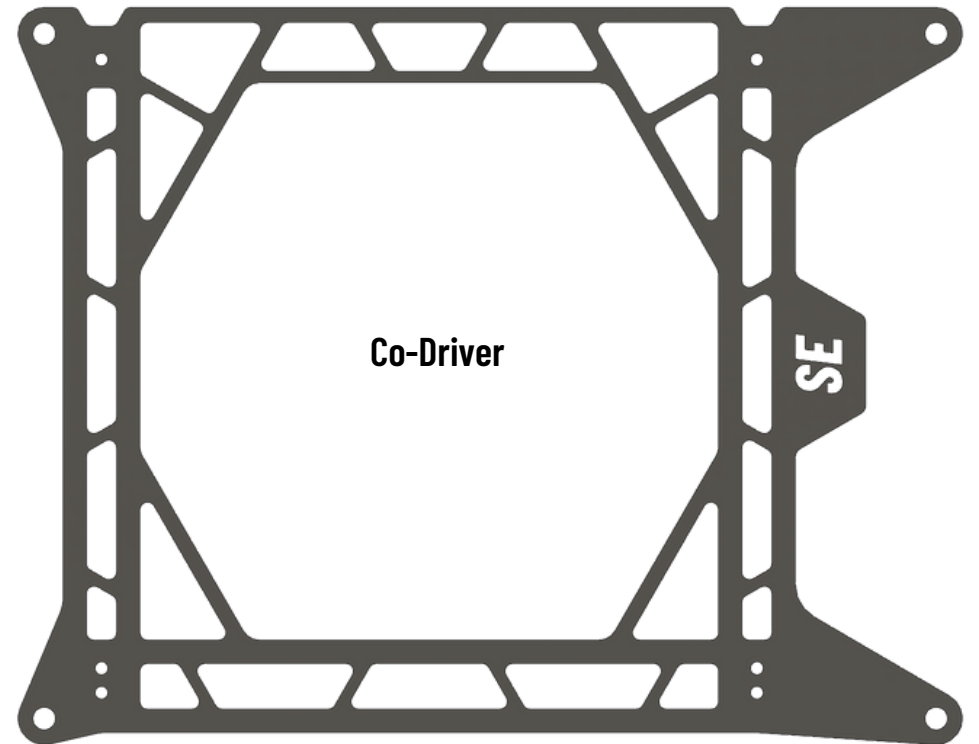
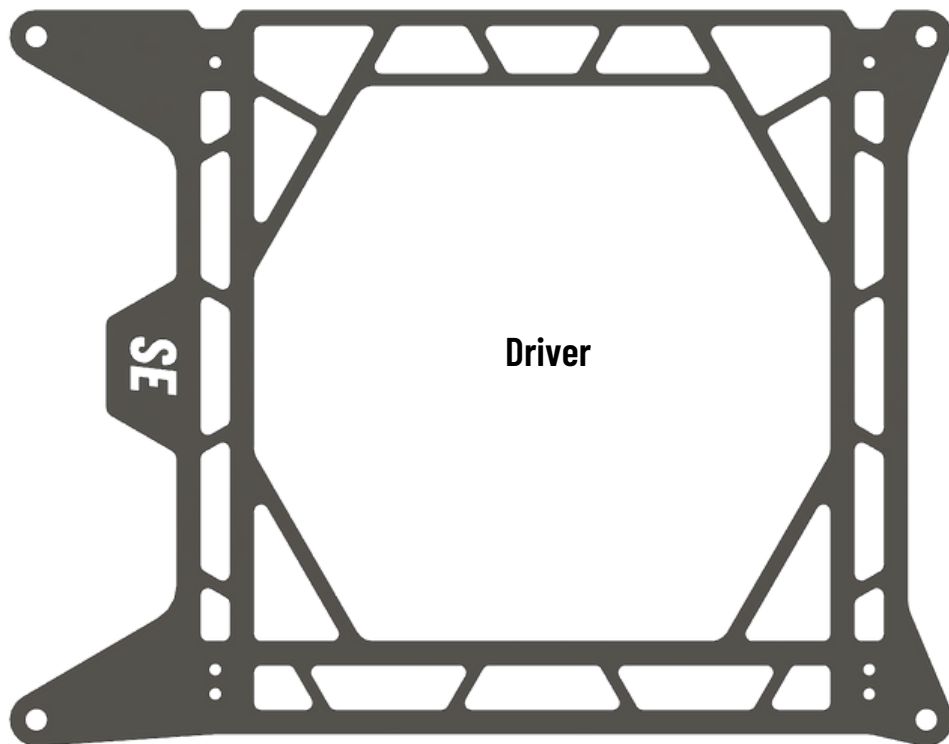




**VW Golf 7 Seat Mount Kit
Manual**

Front



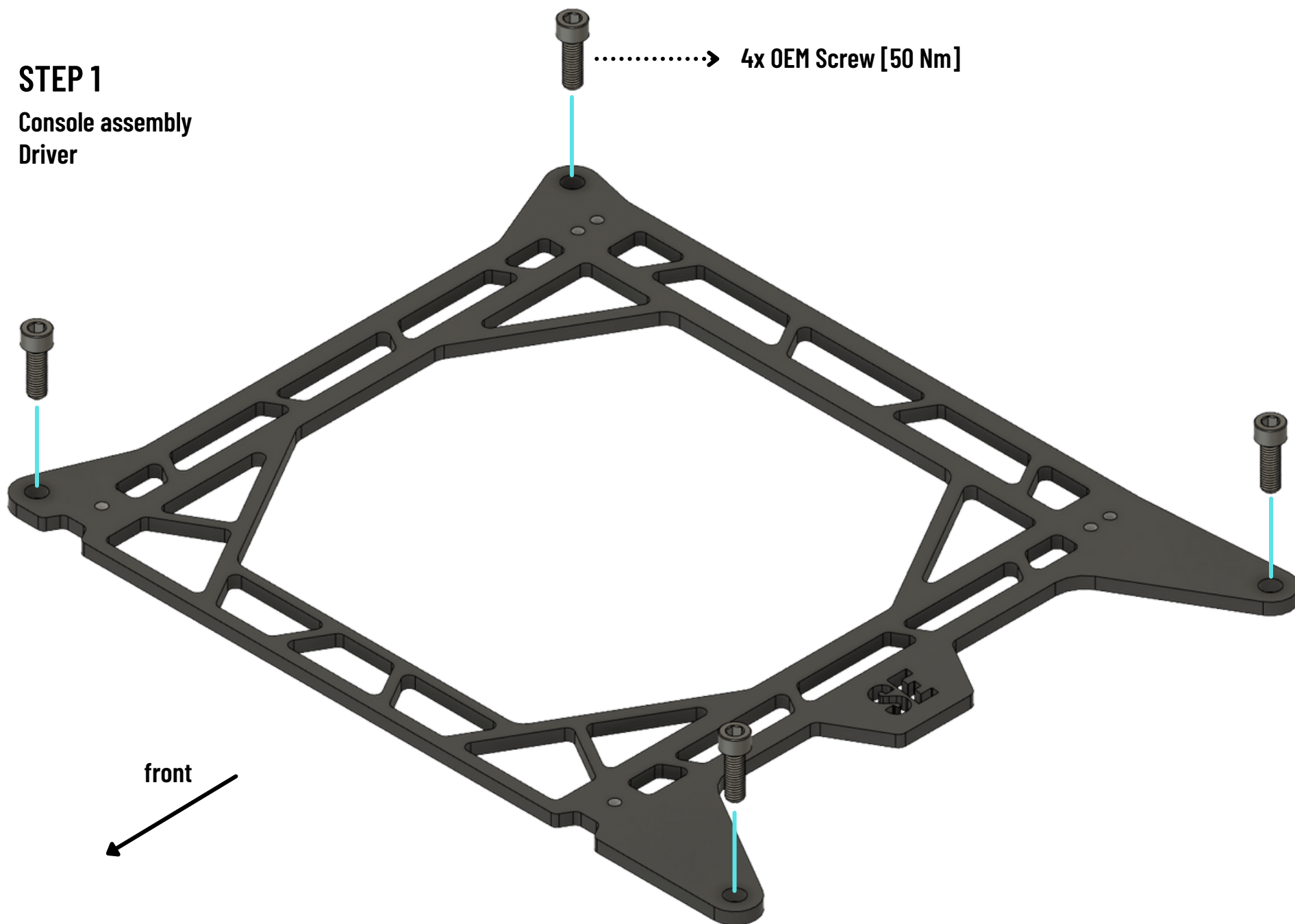
Rear

**This product is designed and produced by the SPEED Engineering GmbH.
If you have any questions or comments,
please feel free to contact us.**

www.speedengineering.de

STEP 1

Console assembly
Driver



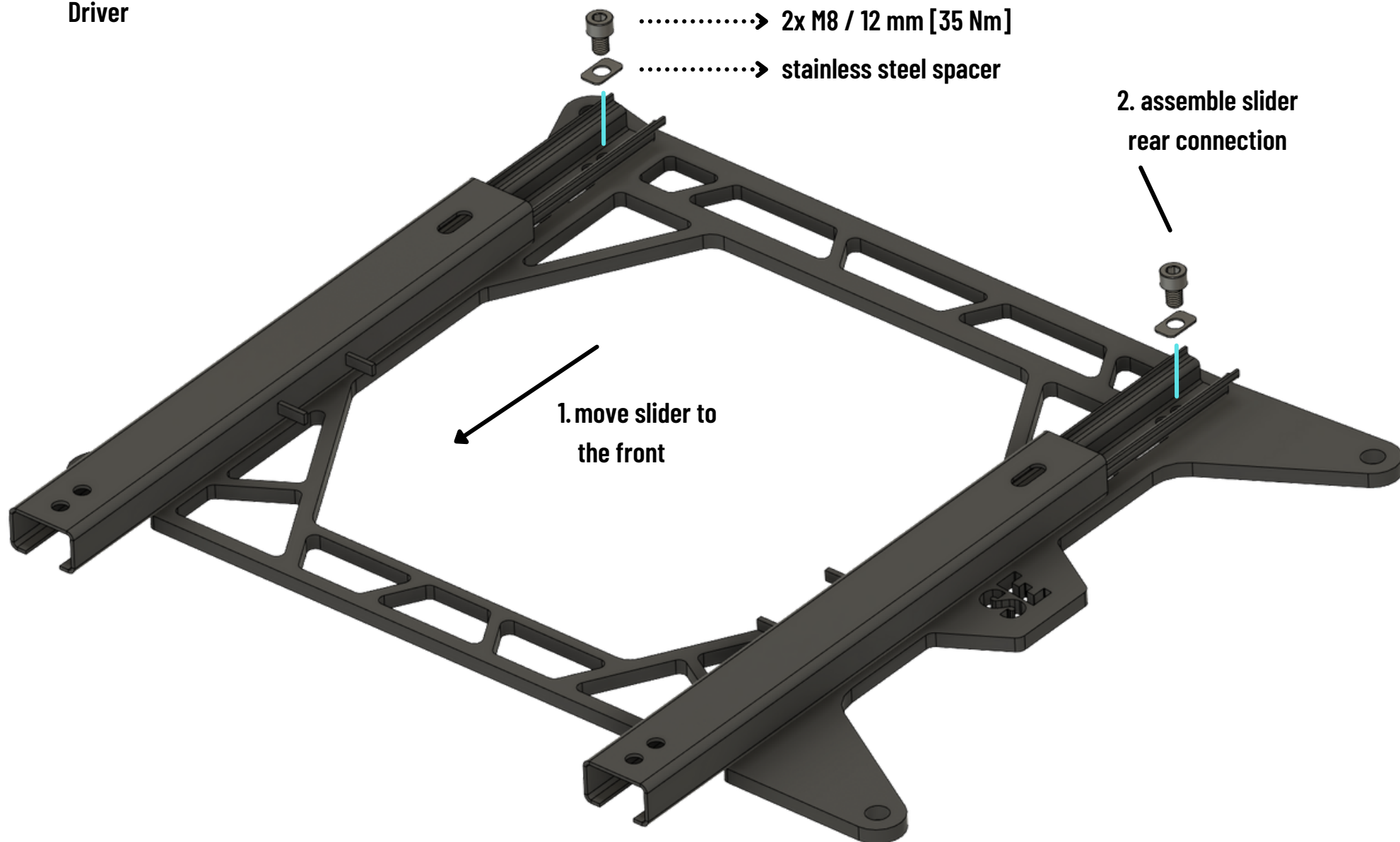
STEP 2

Slider assembly rear
Driver

.....→ 2x M8 / 12 mm [35 Nm]
.....→ stainless steel spacer

2. assemble slider
rear connection

1. move slider to
the front



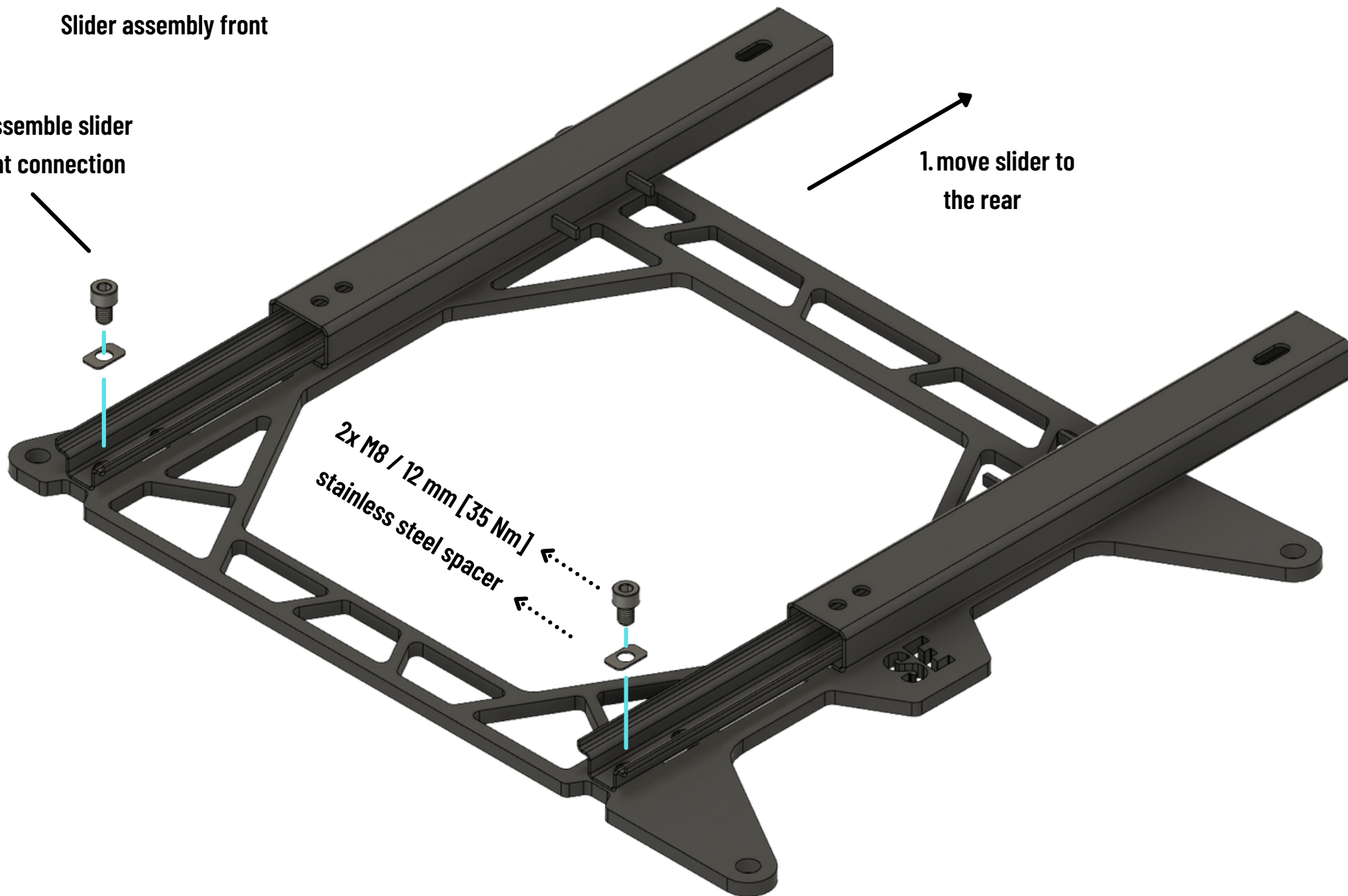
STEP 3

Slider assembly front

2. assemble slider
front connection

1. move slider to
the rear

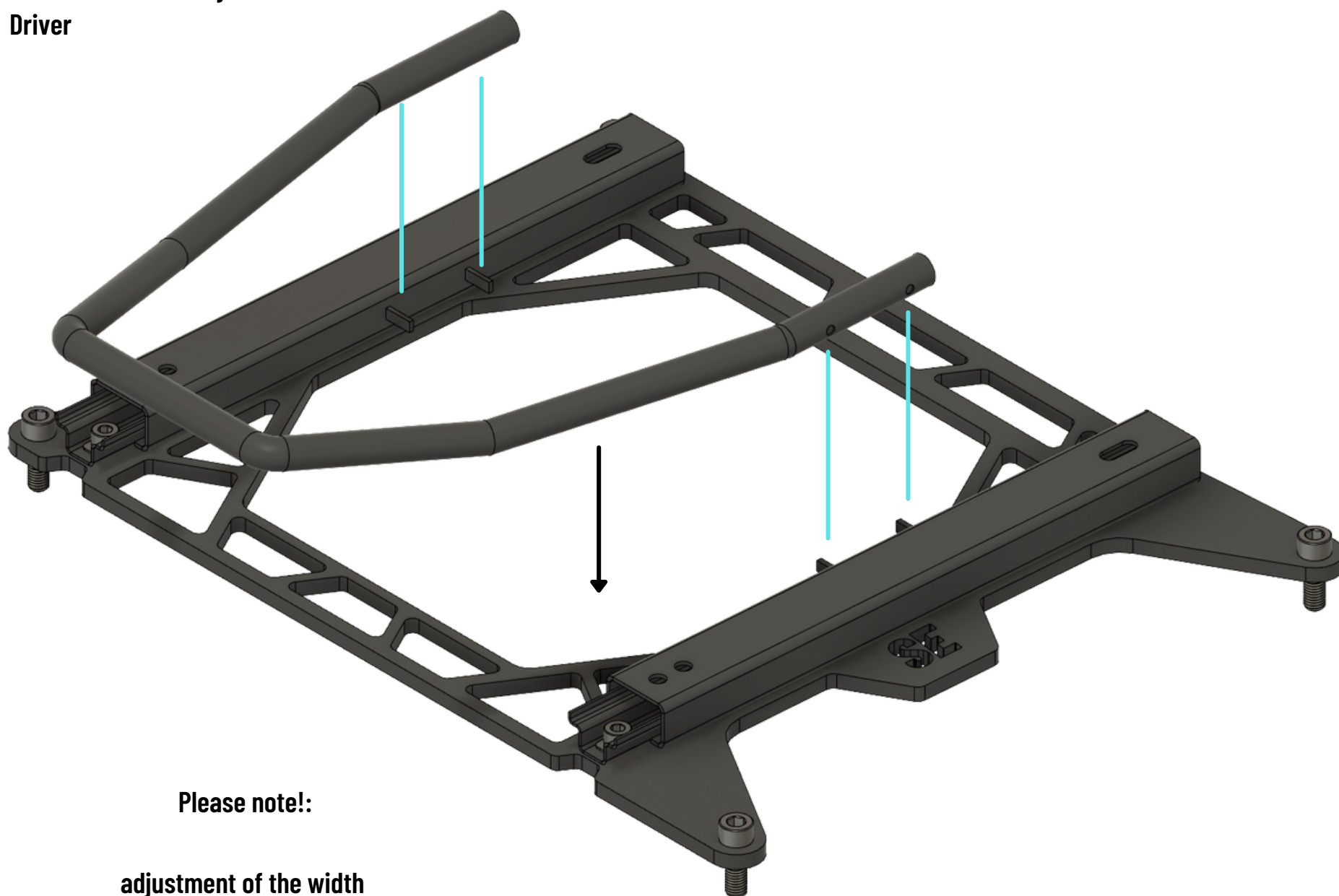
2x M18 / 12 mm [35 Nm]
stainless steel spacer



STEP 4

Slider lever assembly

Driver



Please note!:

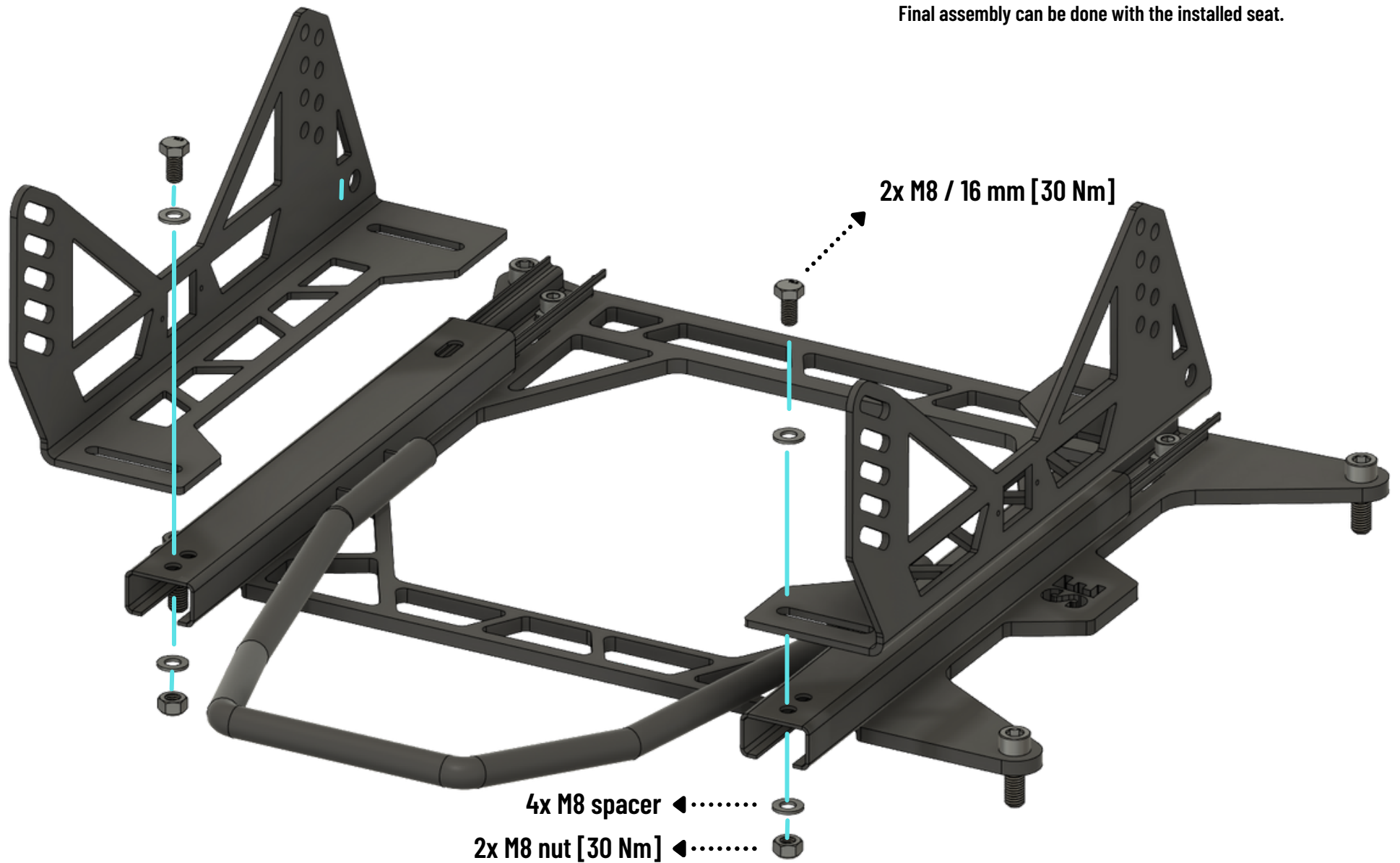
**adjustment of the width
by pulling the lever ends by hand**

STEP 5

L Adaptor assembly front

Driver

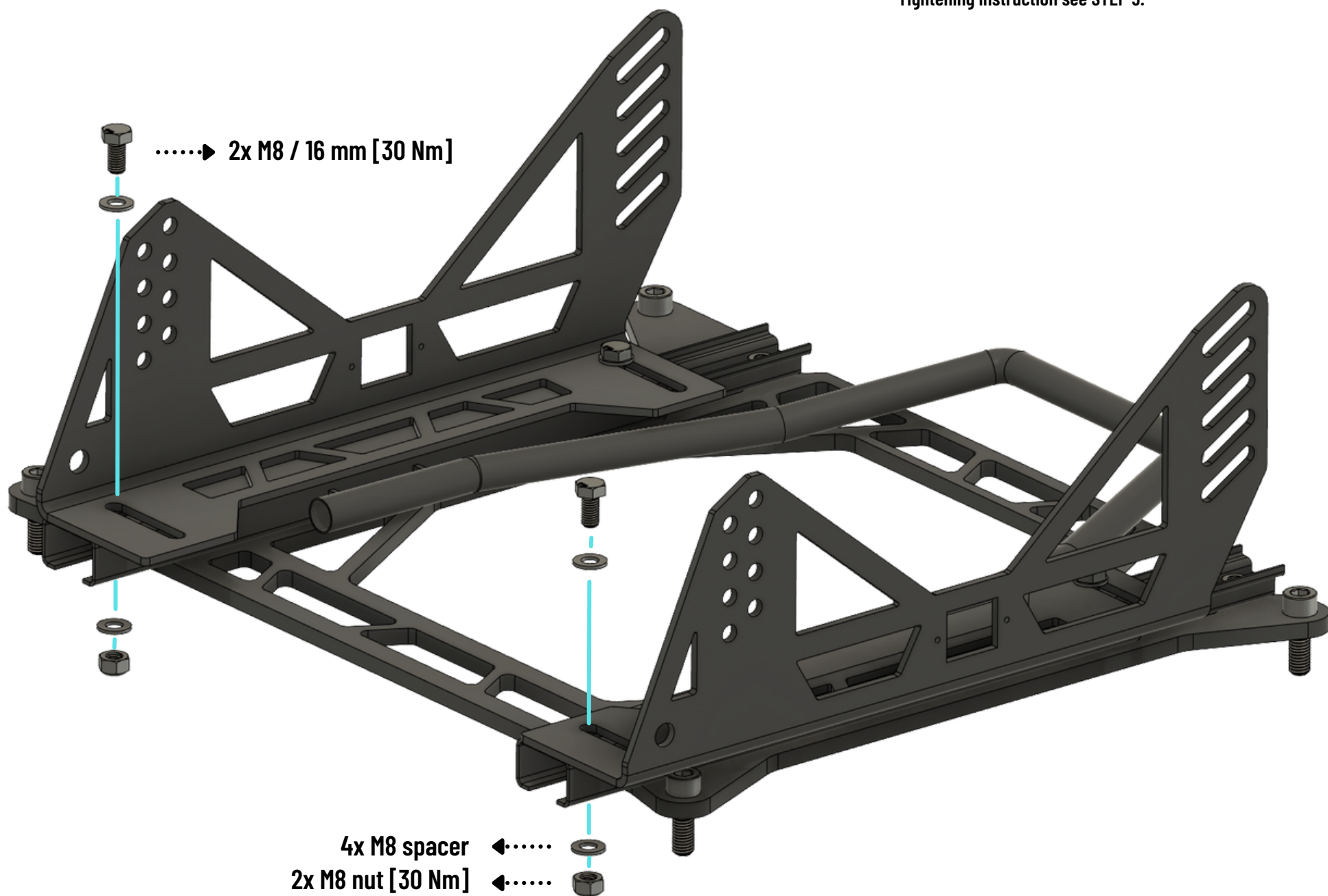
If the seat position is not known yet,
only hand tight assembly is recommended.
Final assembly can be done with the installed seat.



STEP 6

L Adaptor assembly rear

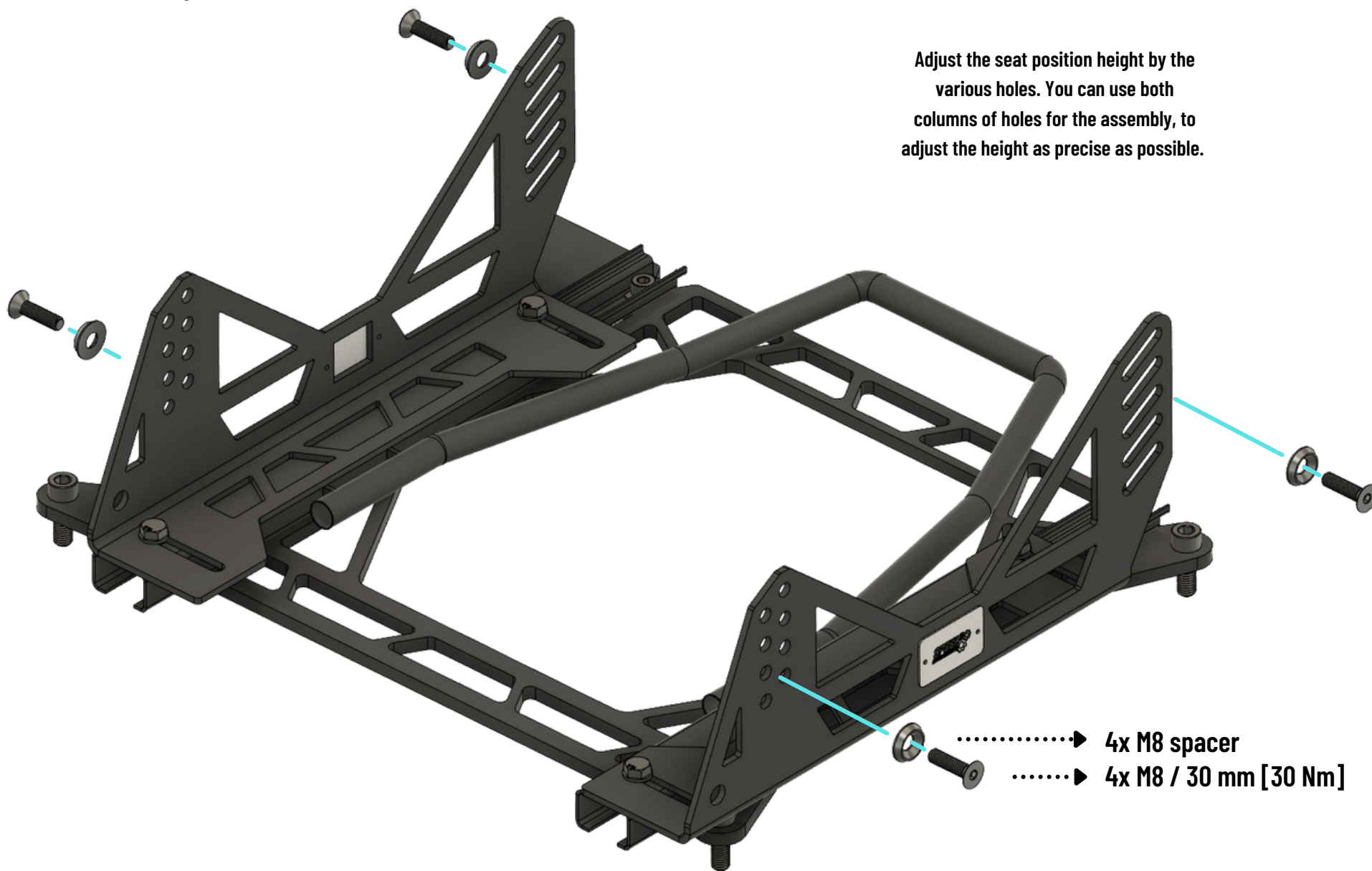
Tightening instruction see STEP 5.



STEP 7

Seat assembly

Adjust the seat position height by the various holes. You can use both columns of holes for the assembly, to adjust the height as precise as possible.



STEP 8

Seat adjustment

