



**Toyota Supra Seat Mount Kit
Manual**



Driver



Front



Rear

Co- Driver

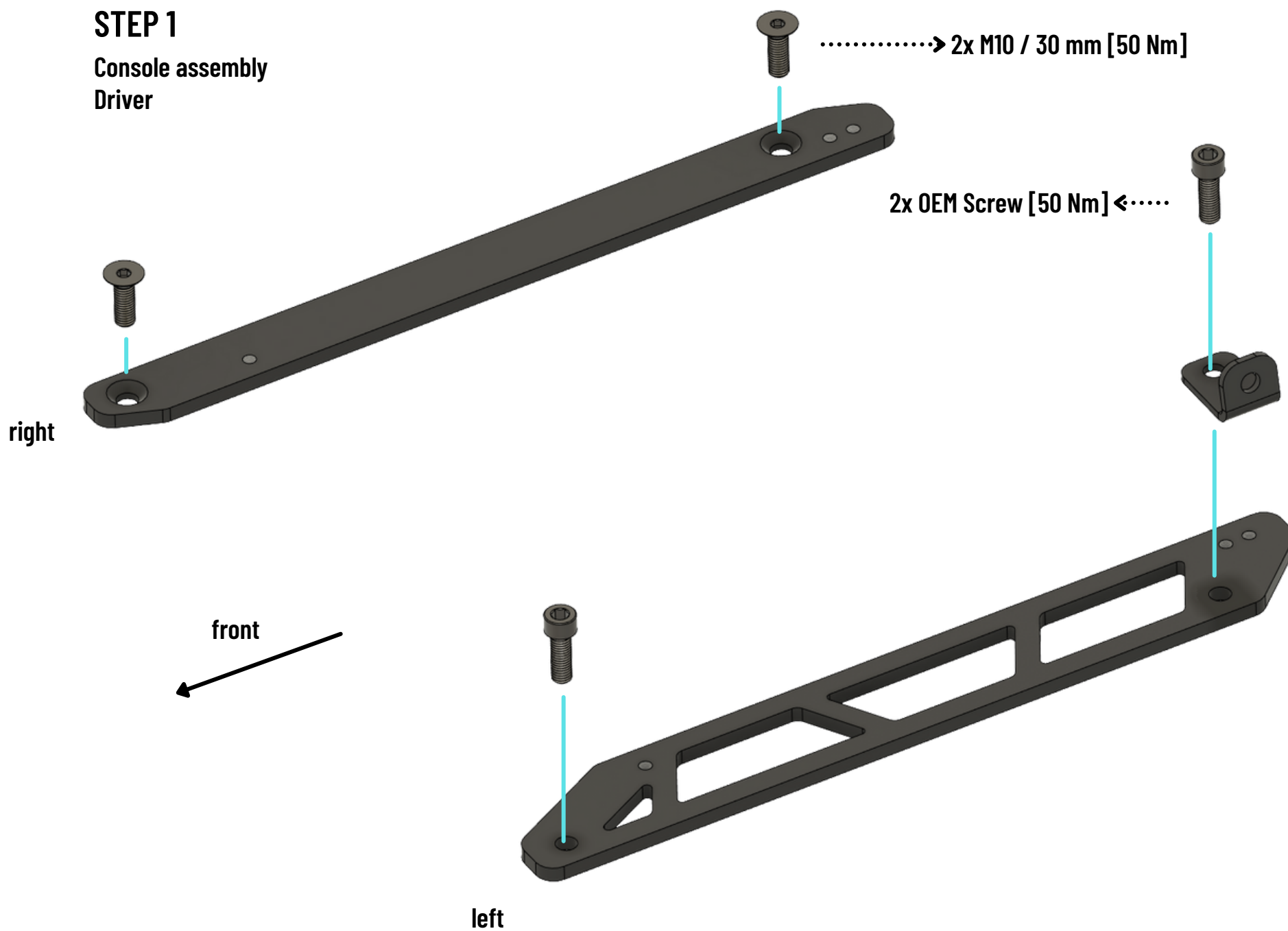


**This product is designed and produced by the SPEED Engineering GmbH.
If you have any questions or comments,
please feel free to contact us.**

www.speedengineering.de

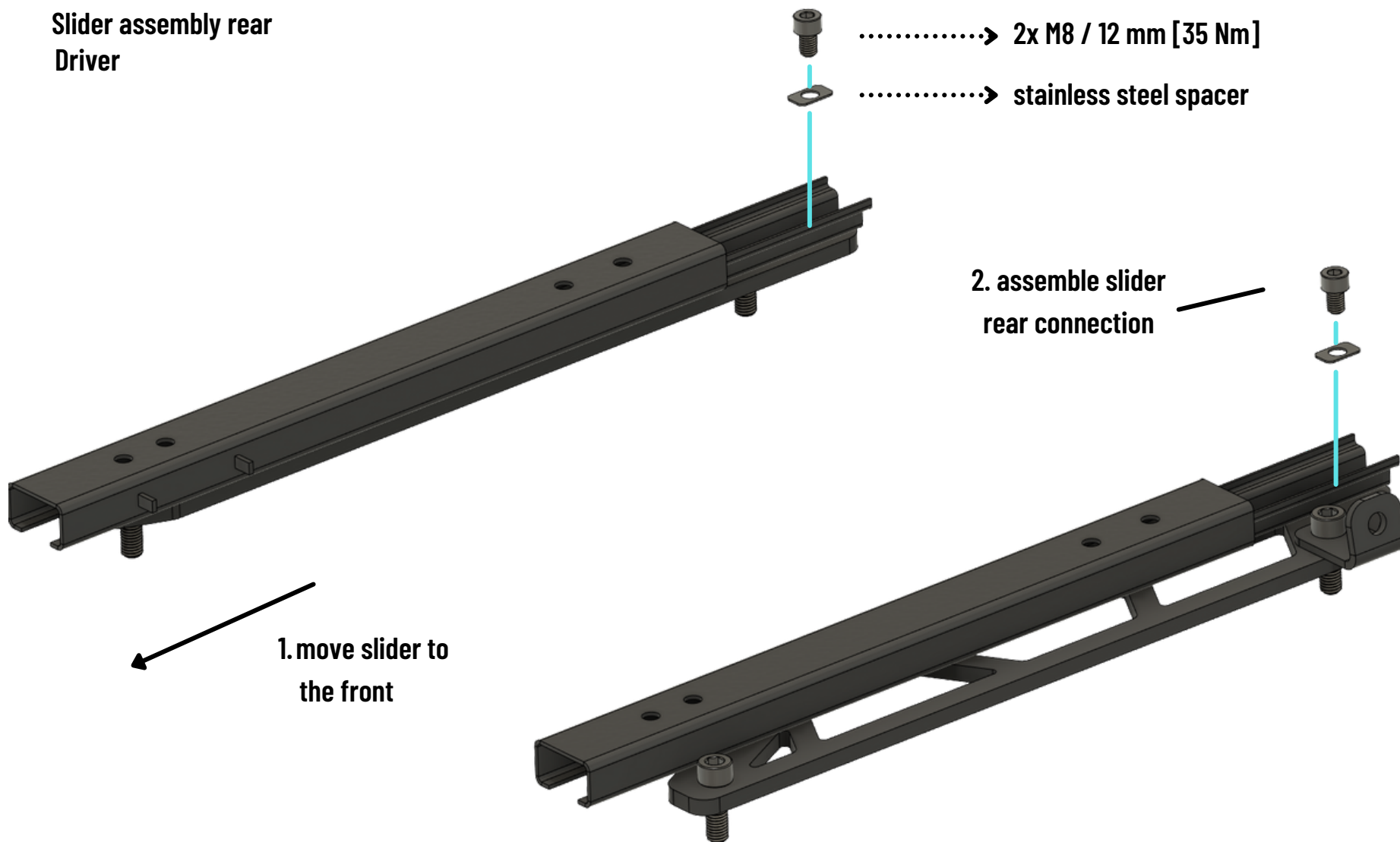
STEP 1

Console assembly
Driver



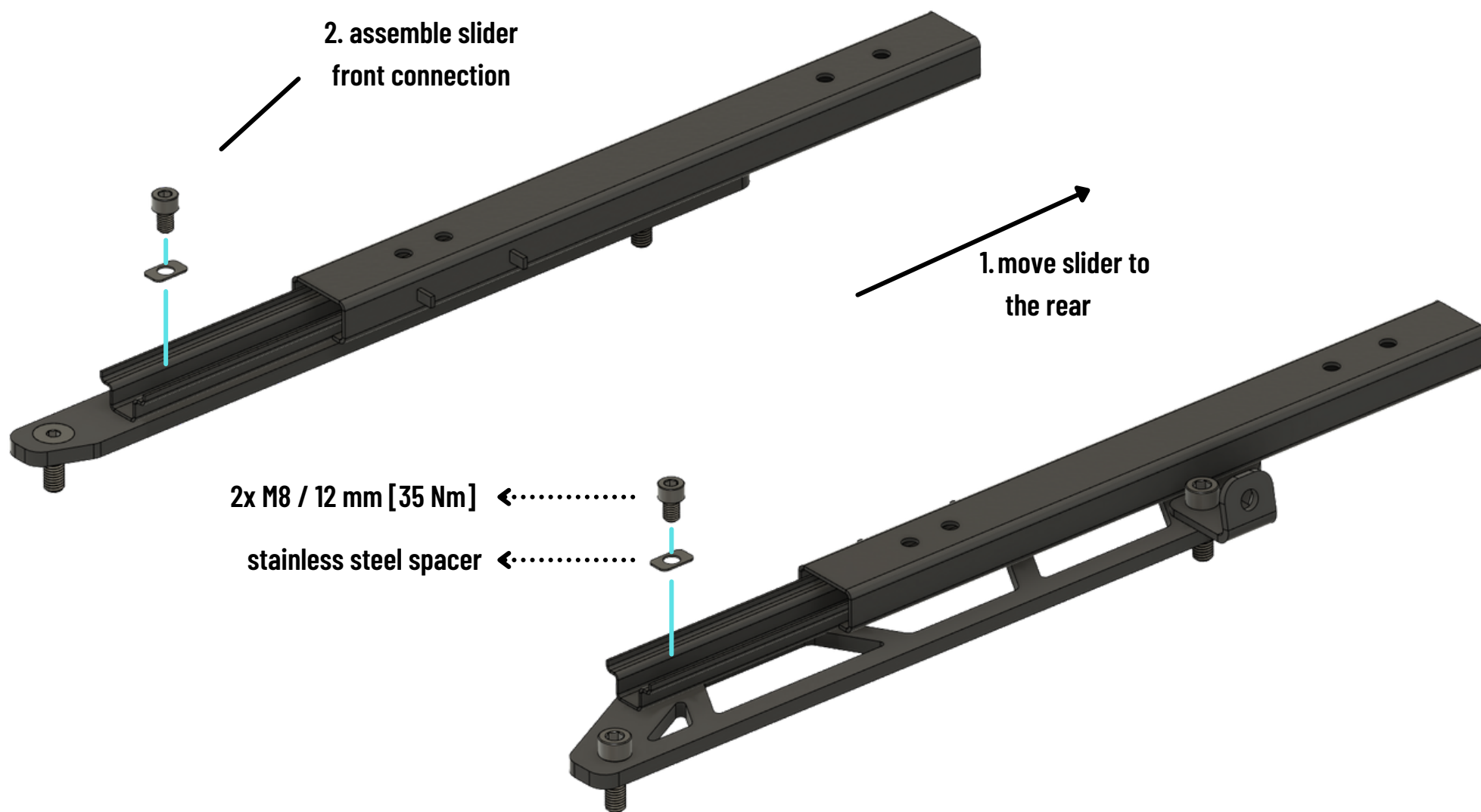
STEP 2

Slider assembly rear
Driver



STEP 3

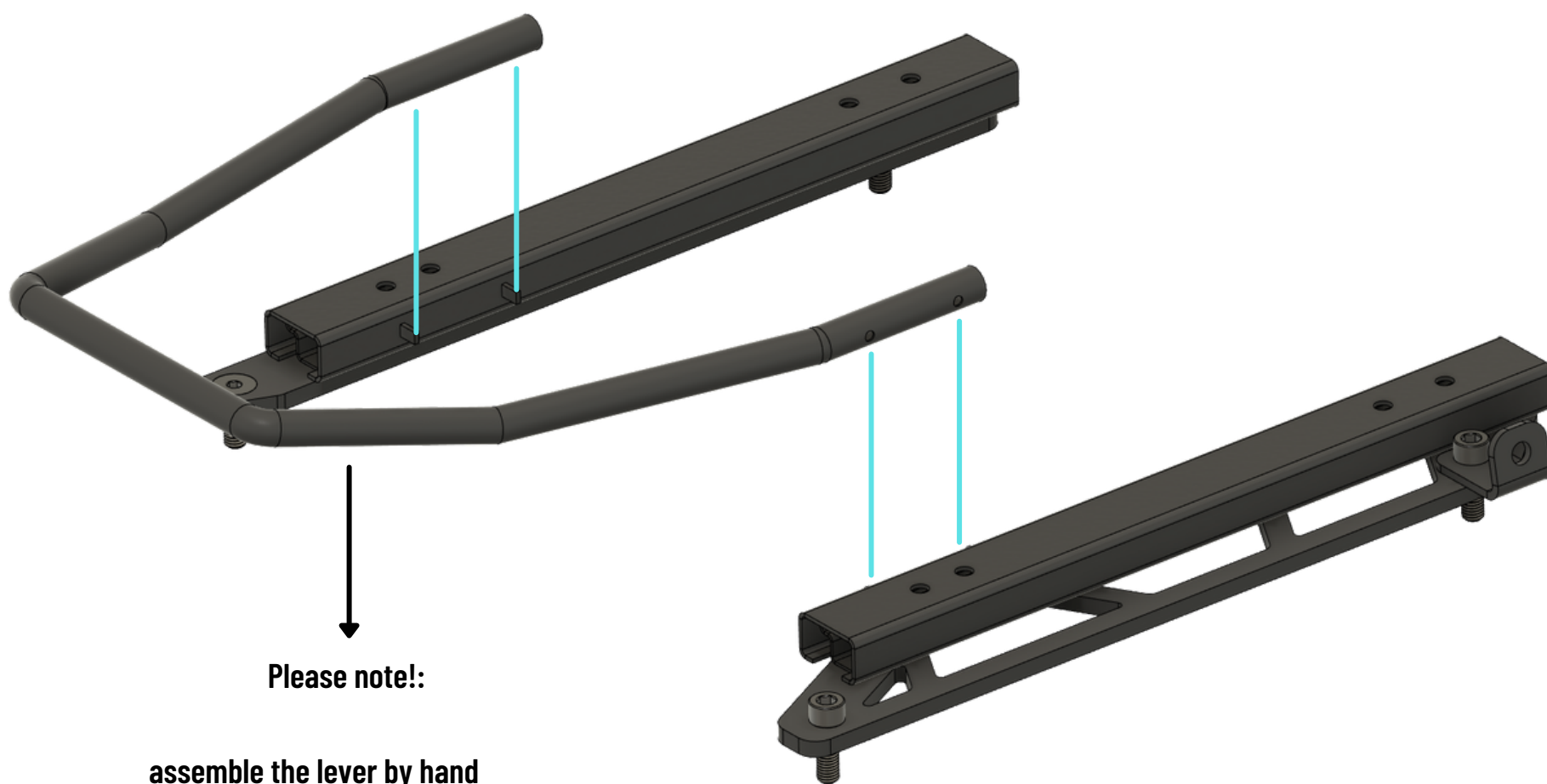
Slider assembly front



STEP 4

Slider lever assembly

Driver



Please note!:

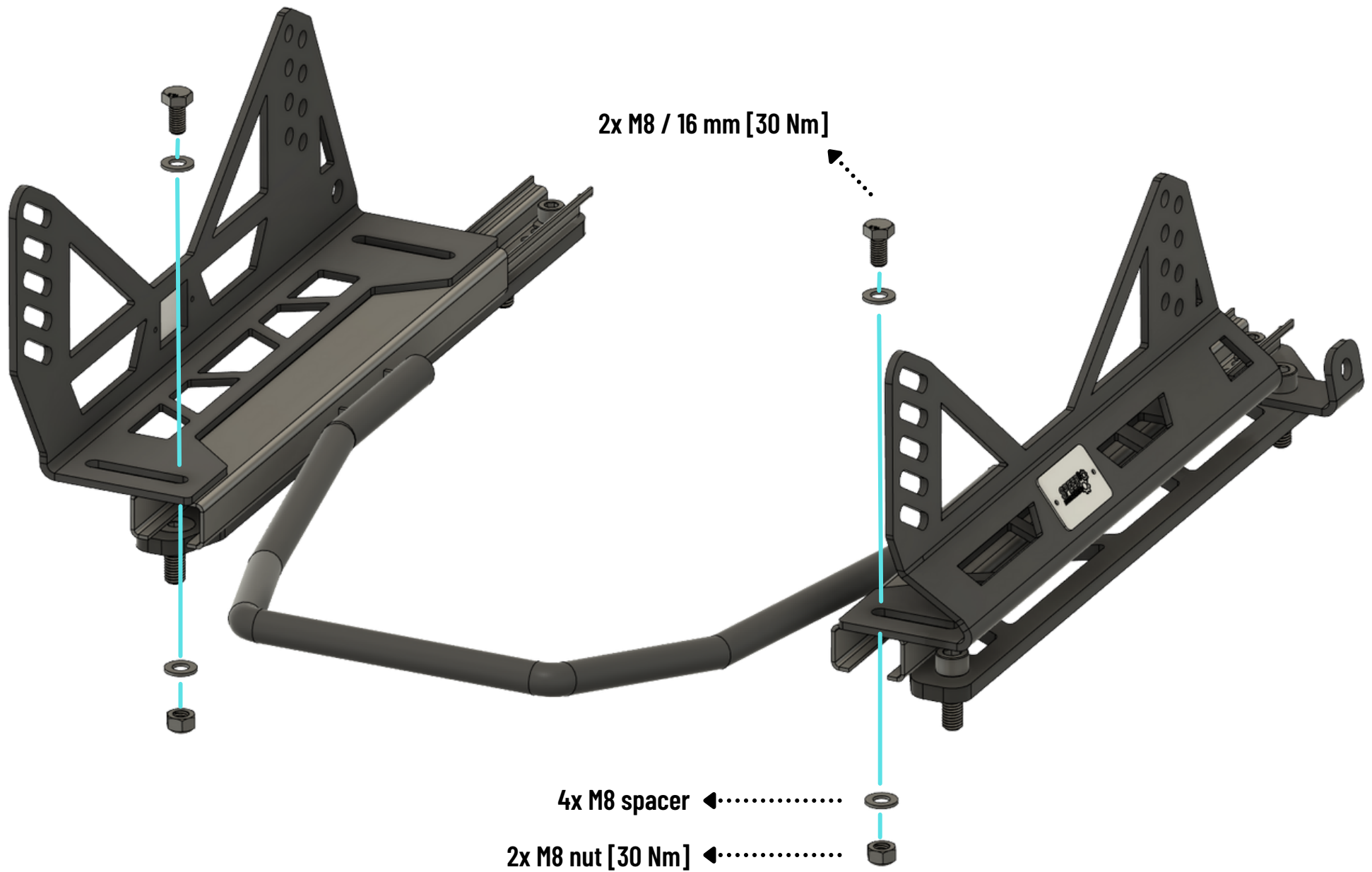
**assemble the lever by hand
adjustment of the width
by pulling the lever ends by hand**

STEP 5

L Adaptor assembly front
Driver

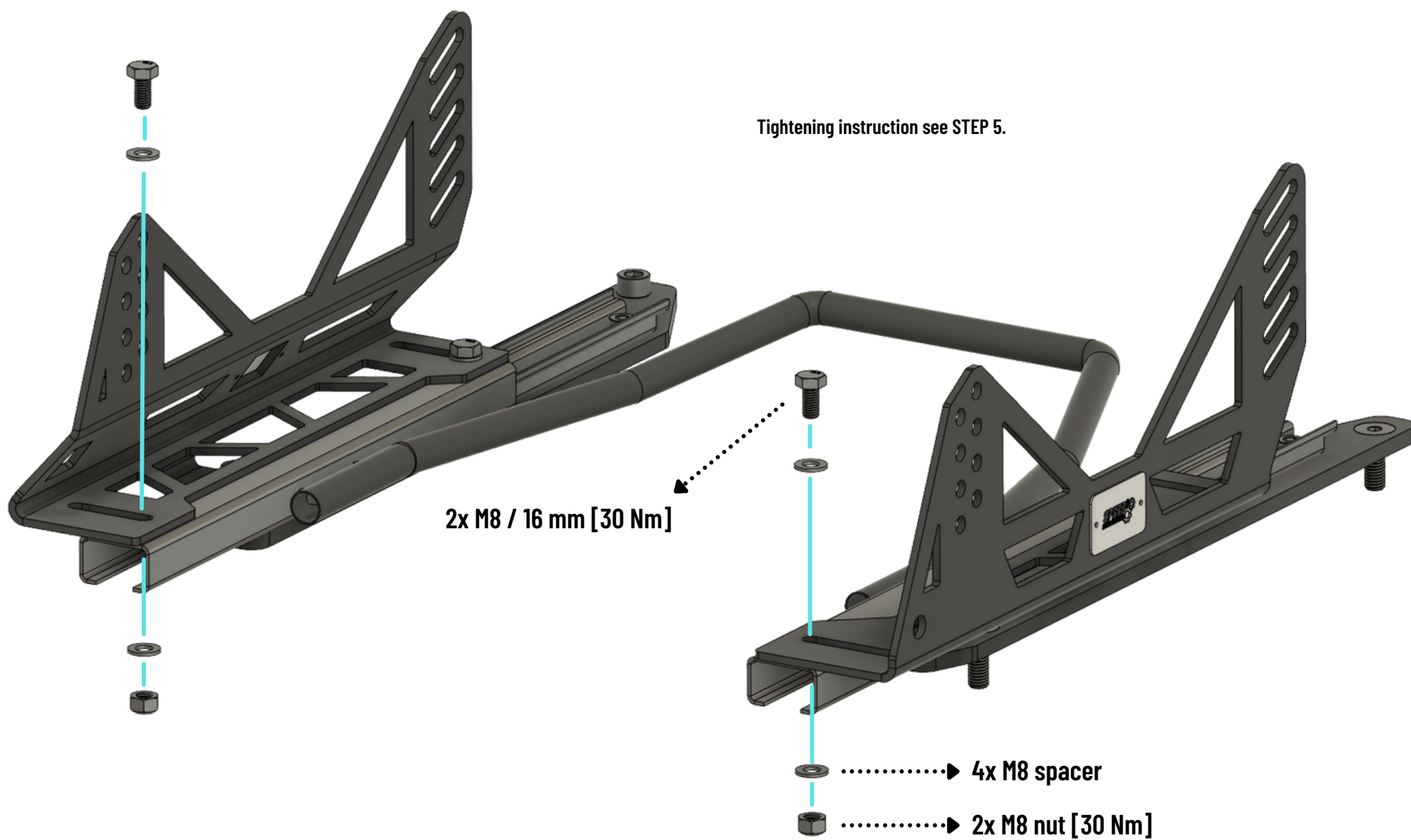
Please note!:

If the seat position is not known yet,
only hand tight assembly is recommended.
Final assembly can be done with the installed seat.



STEP 6

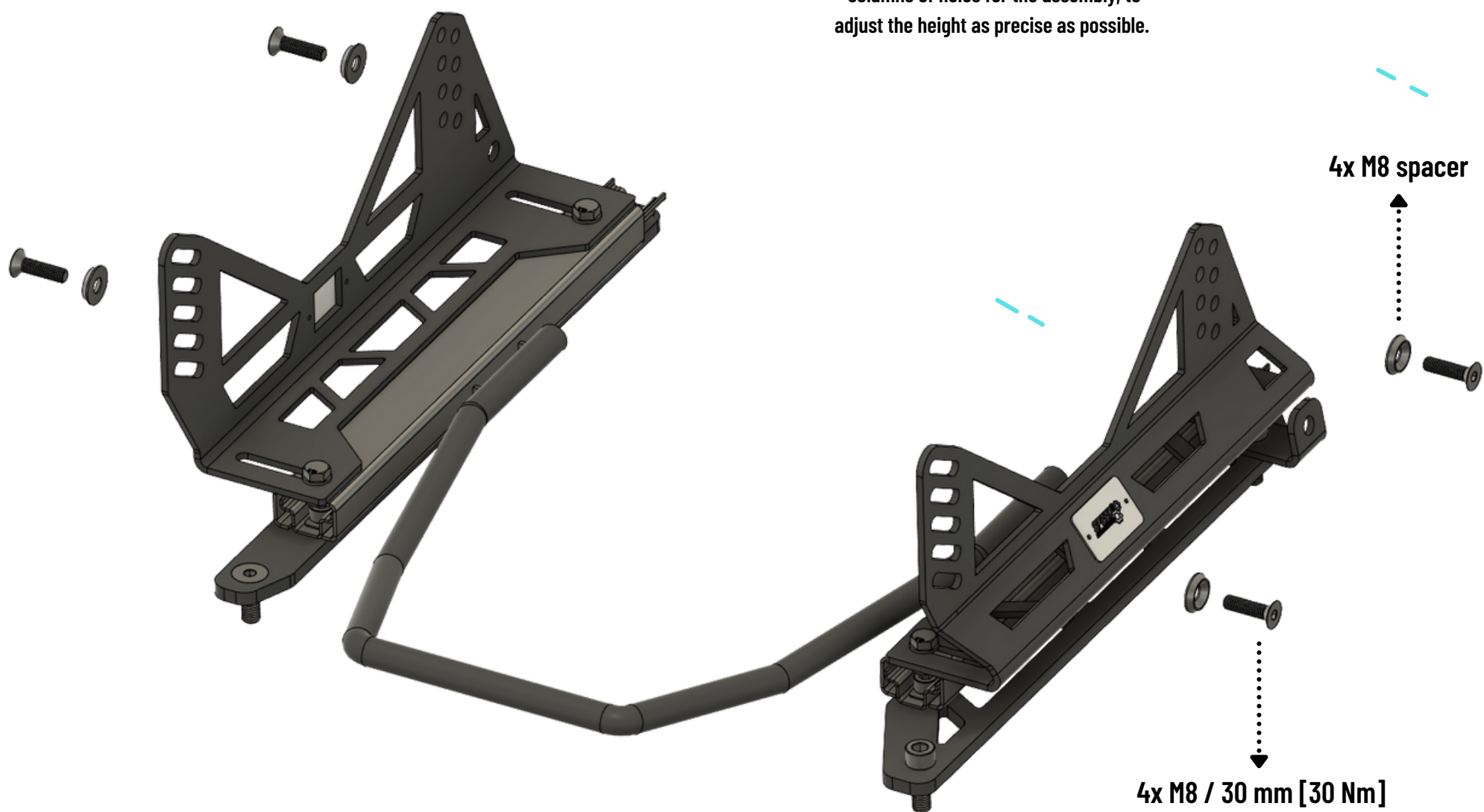
L Adaptor assembly rear



STEP 7

Seat assembly

Adjust the seat position height by the various holes. You can use both columns of holes for the assembly, to adjust the height as precise as possible.



STEP 8

Seat adjustment

