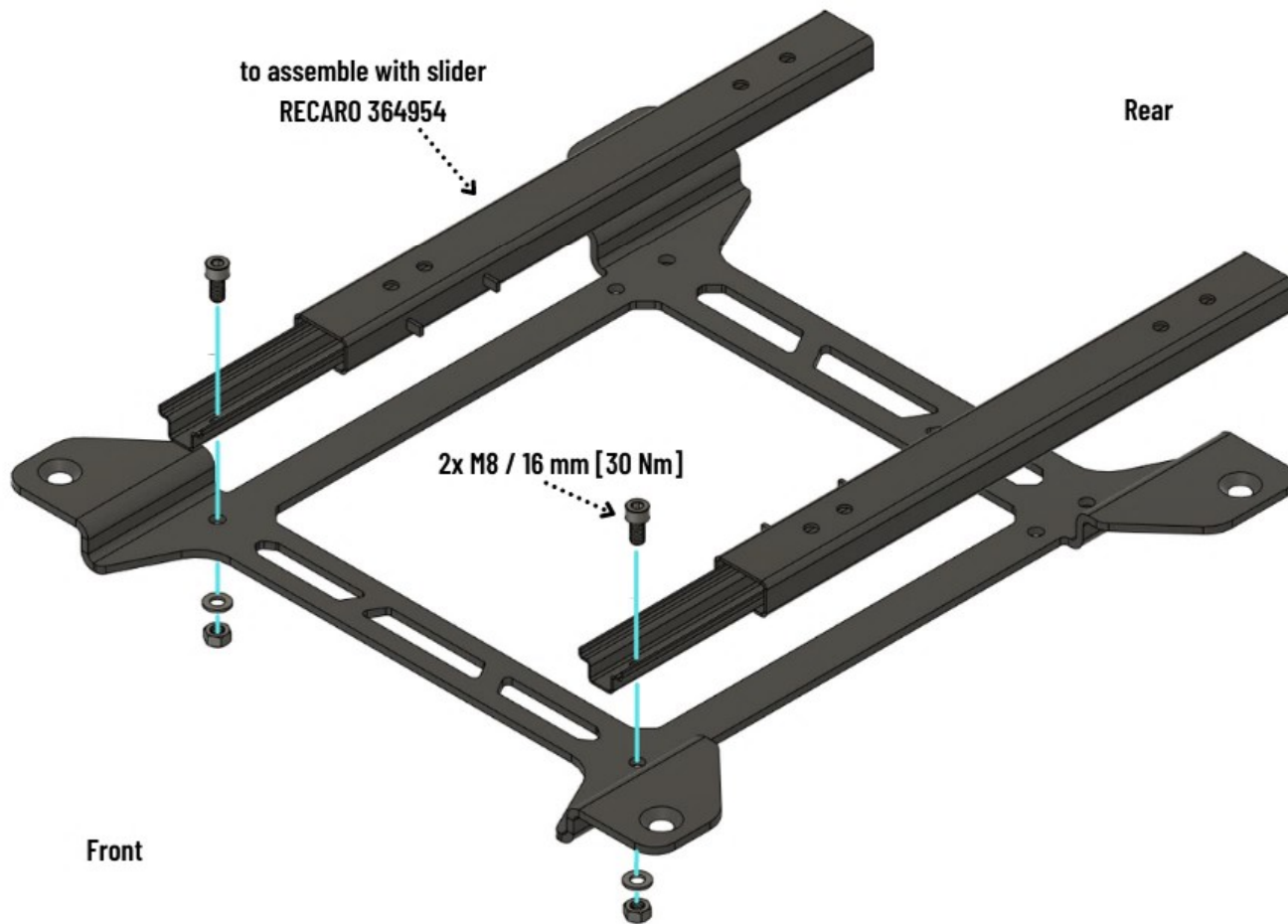
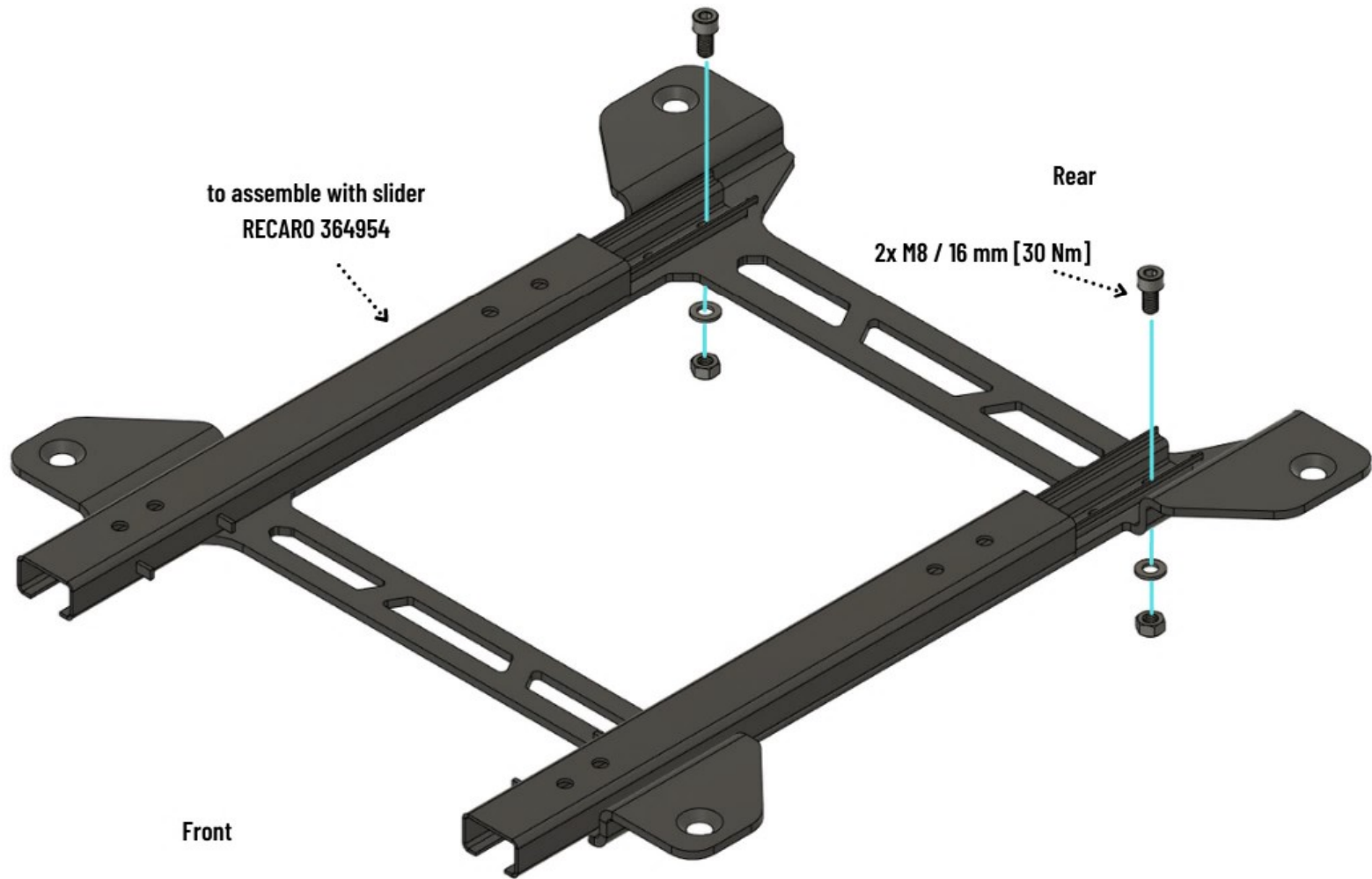


# Toyota GR Yaris Seat Mount Kit

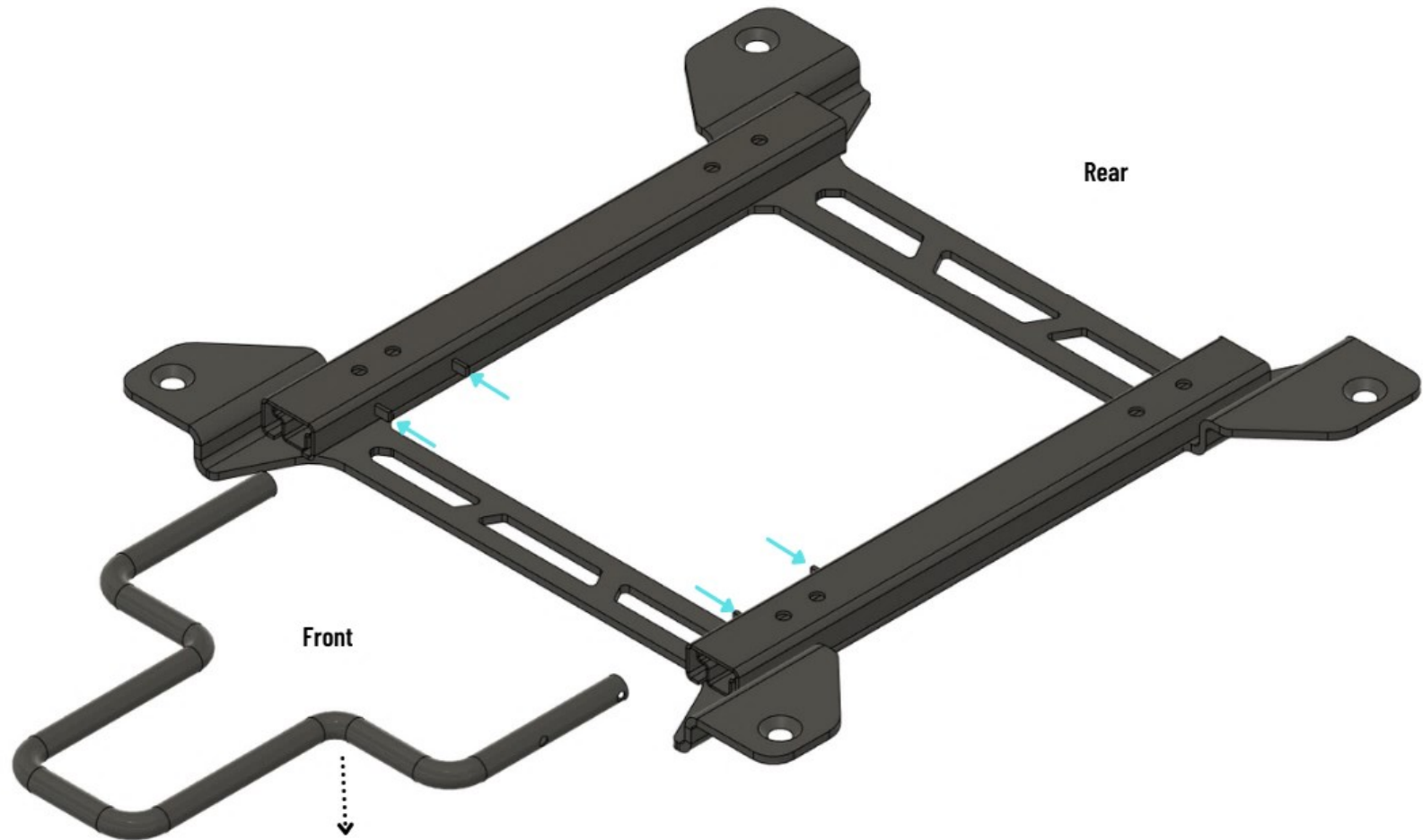
## Manual for Recaro Pole Position & Recaro SPG

Example for the driver seat.



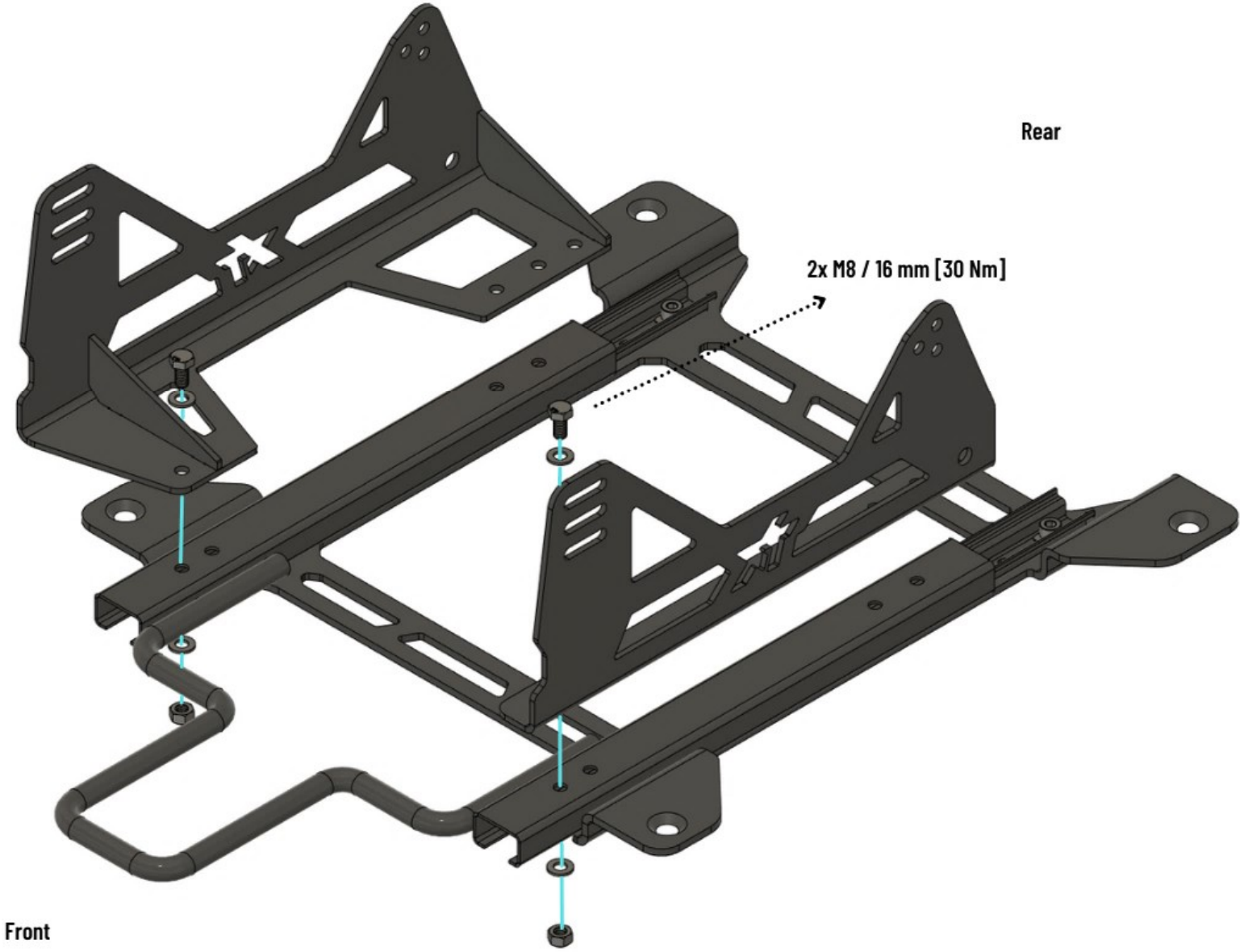


## Assemble the lever with the slider

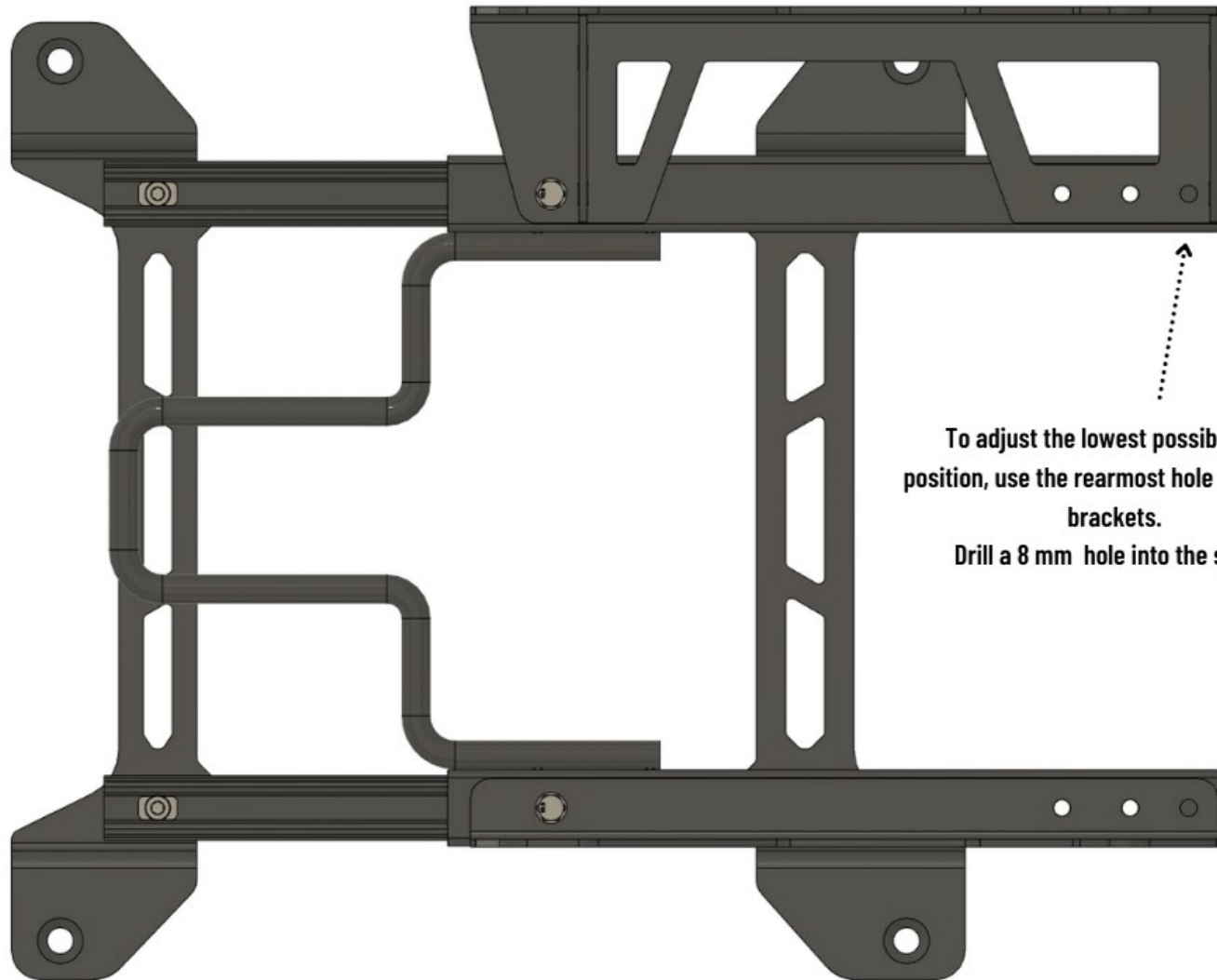


assemble the  
lever by hand  
adjustment of the width  
by pulling the lever ends by hand

**Assemble the seat brackets with the sliders (front)**



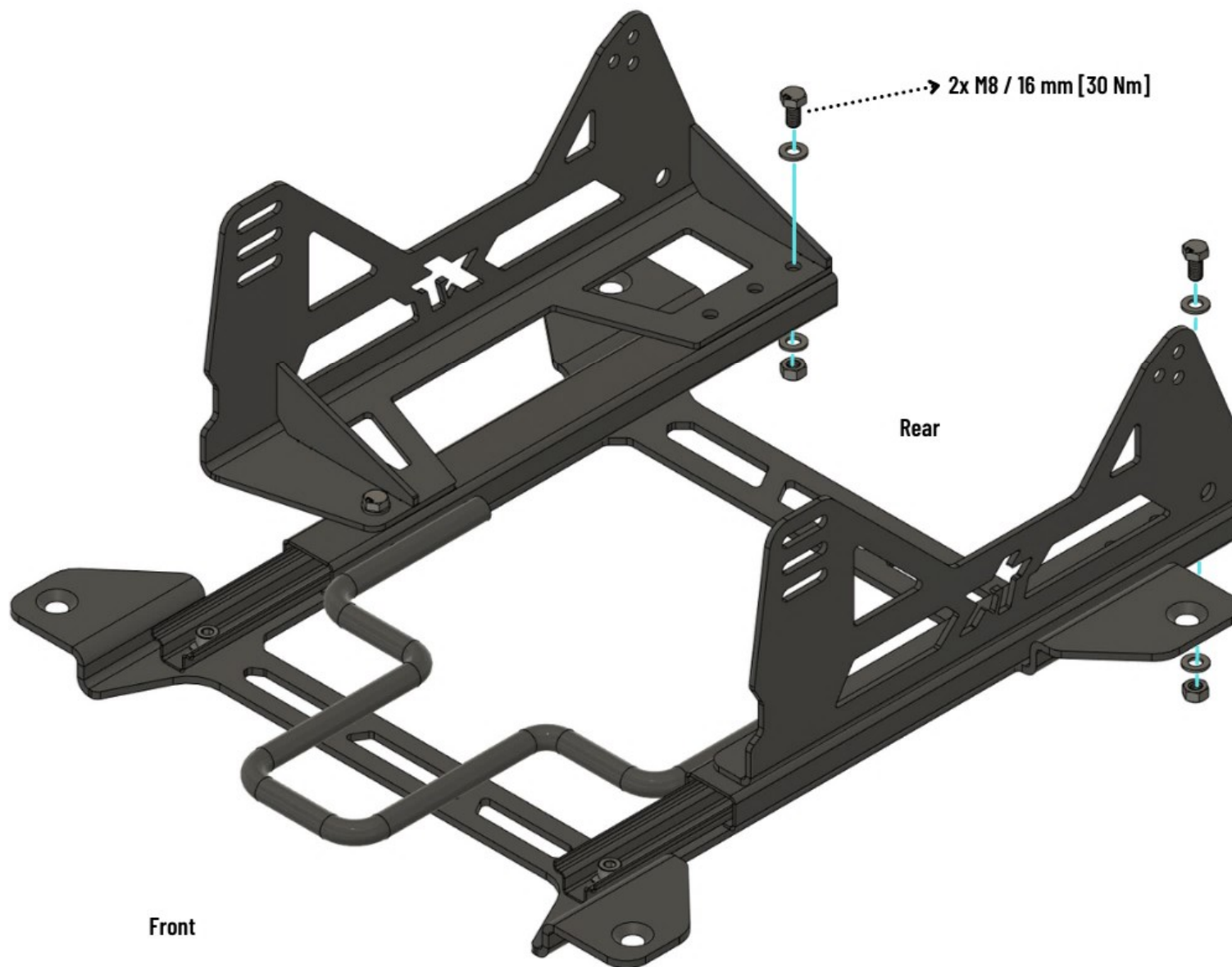
**Assemble the seat brackets with sliders (rear)**



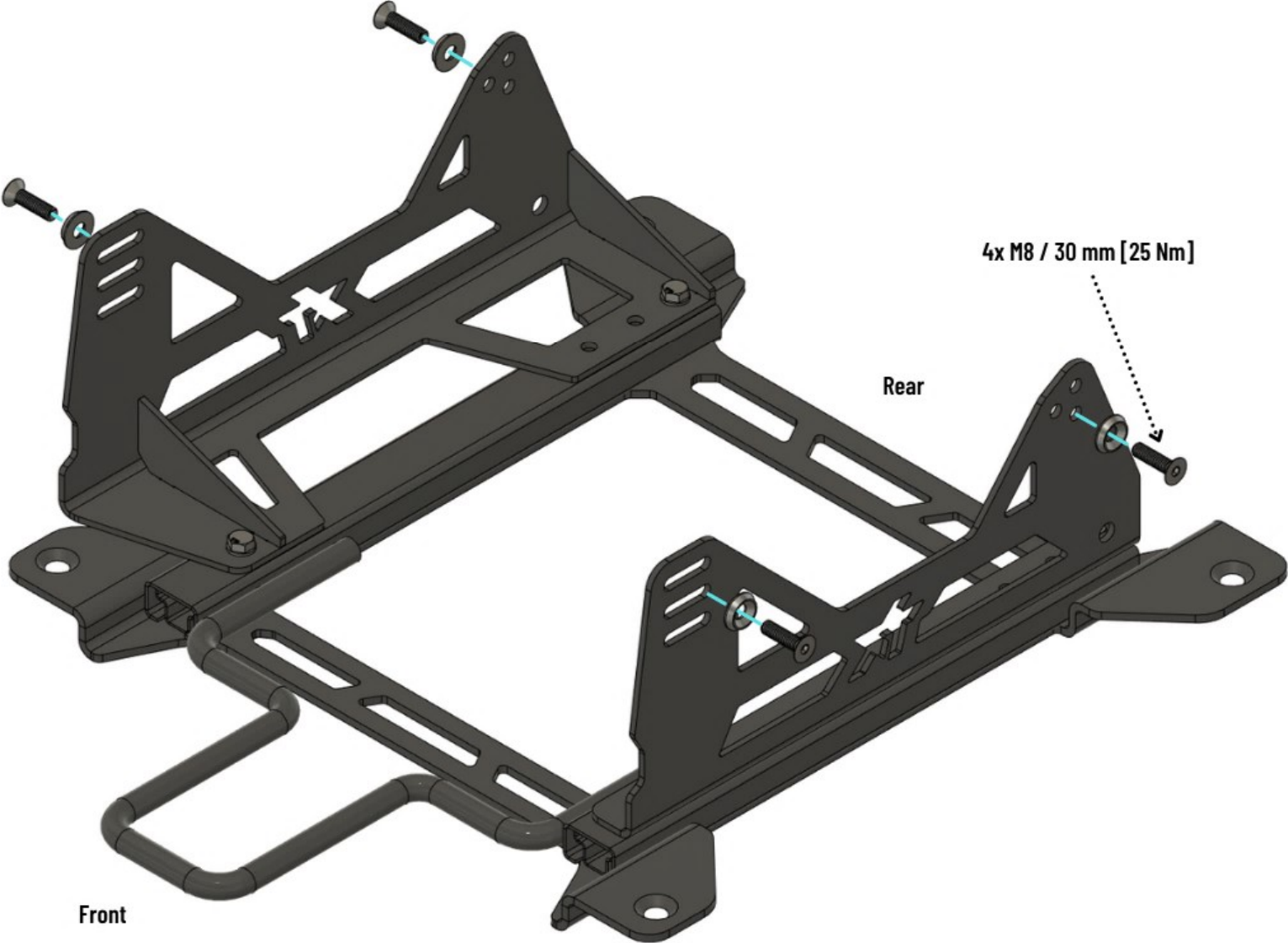
To adjust the lowest possible seat position, use the rearmost hole of the seat brackets.

Drill a 8 mm hole into the slider.

### Assemble the seat brackets with sliders (rear)



**Assemble the seat with the brackets**



### Assemble the console with the chassis

